

# OPULENCE "Her" 23 In. ABOVE COUNTER BASIN

Cat. No  
4-374, 375



Faucet not included

W: 22-7/8"  
D: 18-1/2"  
H: 4-3/4"

## Interior Dimensions:

Basin Interior:	19-3/4" x 12-1/4"
Basin Depth:	4"
Water depth to overflow:	3-1/4"
Back of basin to center of faucet:	2-3/8"
Back of basin to center of drain:	9"
Depth to overflow:	3-1/2"
Mount holes cc:	10-5/8"
Faucet and spout holes:	1-3/8"

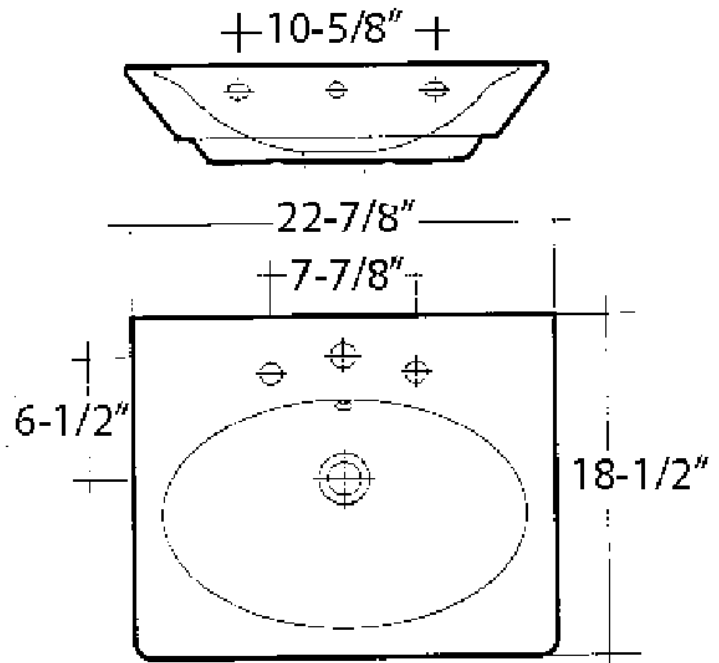
## Features:

- ▶ Fine fire clay construction
- ▶ Transitional style
- ▶ Pre-drilled overflow hole
- ▶ Rectangular basin
- ▶ Oval bowl
- ▶ Back of basin is unfinished
- ▶ Available pre-drilled for 1-hole faucet (**374**) or 8" widespread (**375**)

## Colors:

WH White

**Compliance Certification**  
Meets or exceeds the following specifications: ASME A112.19.2 2018 and CSA B45.1-18 for ceramic plumbing fixtures.



Dimensions of fixture are nominal and may vary within the range of tolerances established by ASME Standard A112.19.2. Dimensions and specifications subject to change without notice.